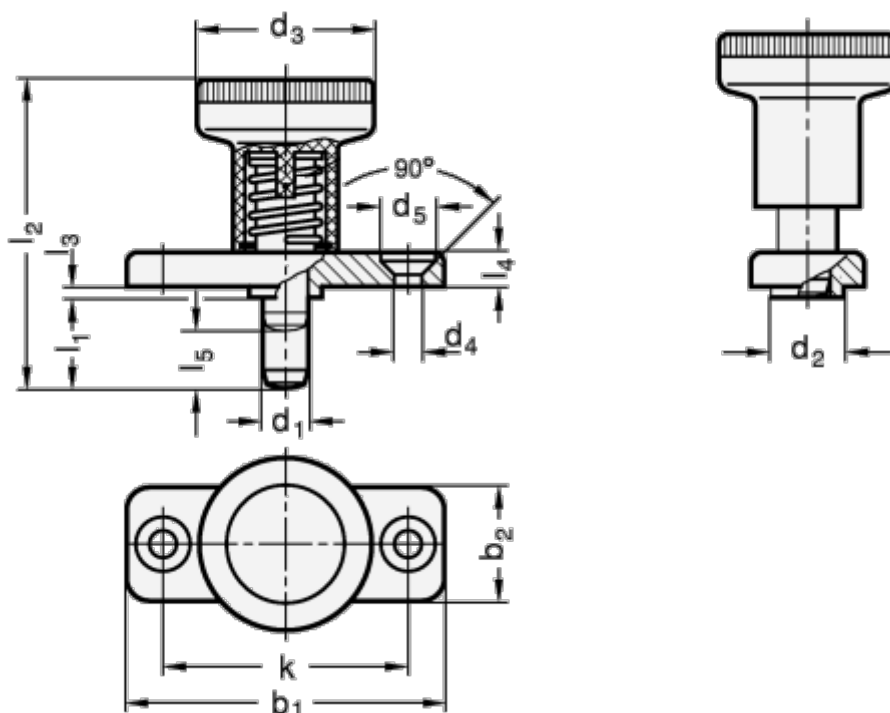


Article number: 200120051

Description: E+G  
Indexing plunger GN 608.5-8-8

## Measures



Axial load capacity N = 500	k	= 34
b1 = 46	l1	= 8
b2 = 20	l2	= 44
d1 = 8	l3	= 2.5
d2 -0.02/-0.1 = 12	l4	= 5.5
d3 = 31	l5	= 8
d4 = 5.3	Spring pressure N bottom	= 28
d5 = 10.4	Spring pressure N top	= 15.5